



Blount County Department of Building Safety

Unvented Crawlspace

1. Exposed earth is covered with a 6 mil continuous vapor retarder and joints are overlapped 6 inches and sealed or taped. The edges of the vapor retarder shall extend up the stem wall at least 6 inches and sealed.
2. The crawlspace wall must be insulated to a minimum R-10 (continuous foam board or equivalent, such as spray foam insulation) or R-13 (framed wall cavity) from the top of the crawlspace wall to the finished grade plus an additional 24 inches vertical or horizontal (Figure A). If continuous foam board or spray foam insulation is used, the insulation must be covered with an ignition barrier of 1.5 inch mineral fiber insulation, ¼ inch wood structural panels, 3/8 inch particleboard, ¼ inch hardboard, 3/8 inch sheetrock or .016 inch corrosion-resistant steel. **If the ignition barrier is not installed, documentation must be provided to show the insulation has been approved on the basis of NFPA 286 and does not require an ignition barrier.** If batted R-13 is used, it must be covered with a thermal barrier of ½ inch sheetrock.
3. There are two options at this point:
 - 3.1 Provide continuous mechanical exhaust ventilation at a rate of 1 cfm for each 50 sq ft of crawlspace area and provide an air pathway (duct or transfer grille) to the common area.
 - 3.2 Provide conditioned air supply at a rate of 1 cfm for each 50 sq ft of crawlspace area and include a return air pathway (duct or transfer grille) to the common area.
4. If the crawlspace is being used as an under-floor plenum, fuel gas lines and plumbing waste cleanouts shall not be located in this space (Figure B).

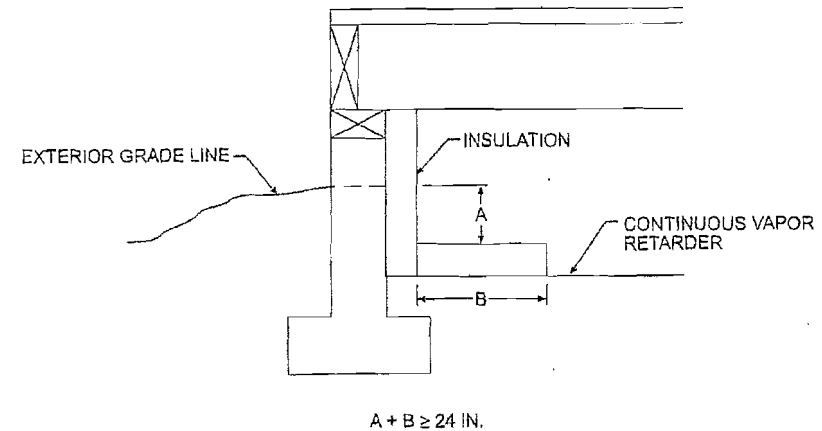


Figure A

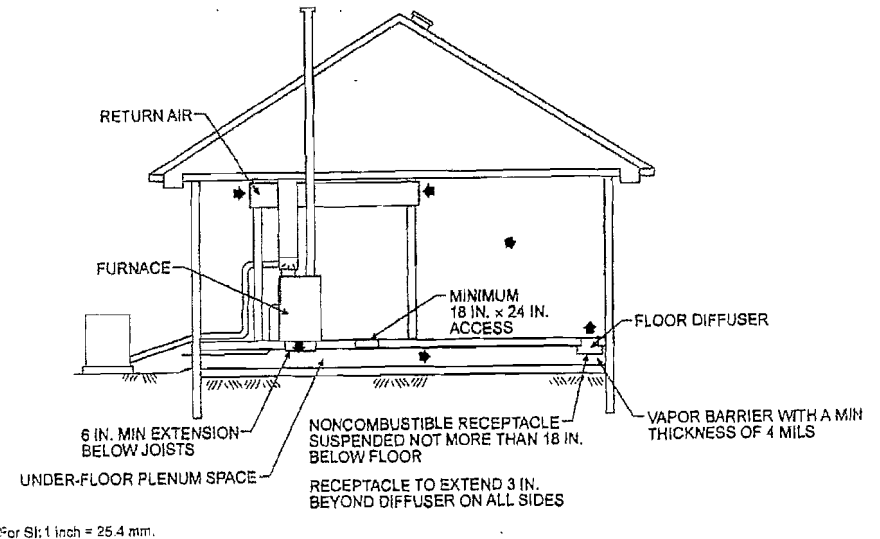


Figure B